

Quick Guide On LM3000

LM3000 is a device that does parameter setting operation (including writing and reading) to our auto dialer model LS2000, AX3000P, and AX3000H. It comes together with a software (Linkf.exe) which acts as a PC interface to LM3000 through RS232 serial connection.

Please install Linkf.exe version 3.0.1 or later to make good use of this device. (software can be downloaded from our website <http://www.dialer.com.my>)

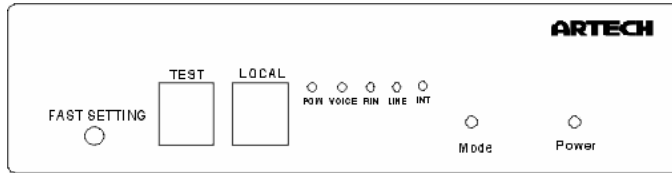


Figure 1 Front view


Features	Description
FAST SETTING	(Attention: NOT FOR DC18V ADAPTOR!) Power output to AX3000P/H, by double-headed power cord (see figure 2). Please refer figure 3 for the connection to AX3000 series. 
TEST	[local programming mode only] connect to dialer to read or write parameters.
LOCAL	[remote programming mode only] connect to local telephone for dialing or monitoring the process of reading or writing parameters in.
POW LED	power indication light
INT LED	indication light for LOCAL PROGRAMMING MODE.
LINE LED	indication light for REMOTE PROGRAMMING MODE.
RIN LED	[Optional] out-side incoming call indication light
VOICE LED	[Optional] recording/playing indication light
MODE KEY	switch between LOCAL MODE and REMOTE MODE.
POWER KEY	power switch

Table 1 - LM3000 Front Features and Descriptions

Quick Guide On LM3000



Figure 3 : Double-headed power cord Connection

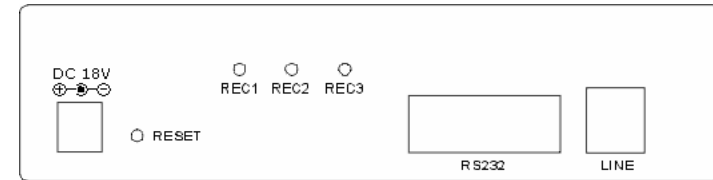


Figure 4 Back view

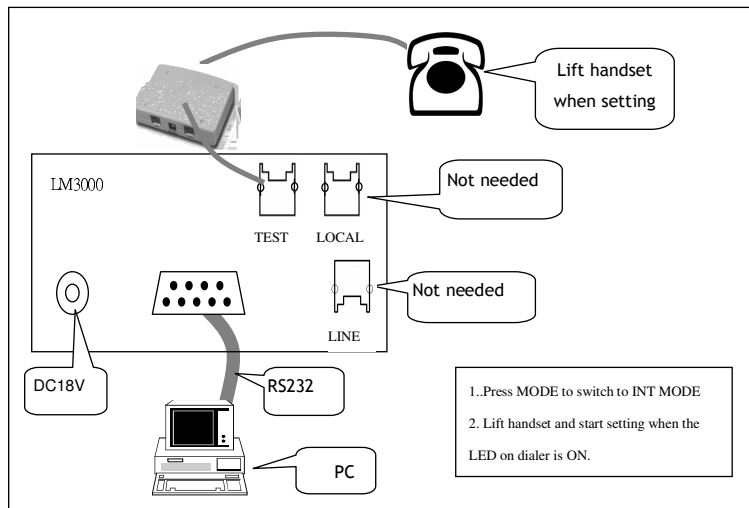
Features	Description
DC 18V	power jack, DC18V
RESET KEY	when encounter some difficulties in reading/writing parameter (e.g. Link Interrup program), press this button to reset.
REC1/REC2/REC3 KEY	Not applicable.
RS232	connect to COM PORT on the computer.
LINE	connect to out-side line in REMOTE MODE to read or write parameters.

Table 2 - LM3000 Back Features & Descriptions

Quick Guide On LM3000

There are 2 types of programming mode, i.e. (a) LOCAL MODE (b) REMOTE MODE. Refer to figures below for the respective connection diagram.

(a) LOCAL MODE



(b) REMOTE MODE

